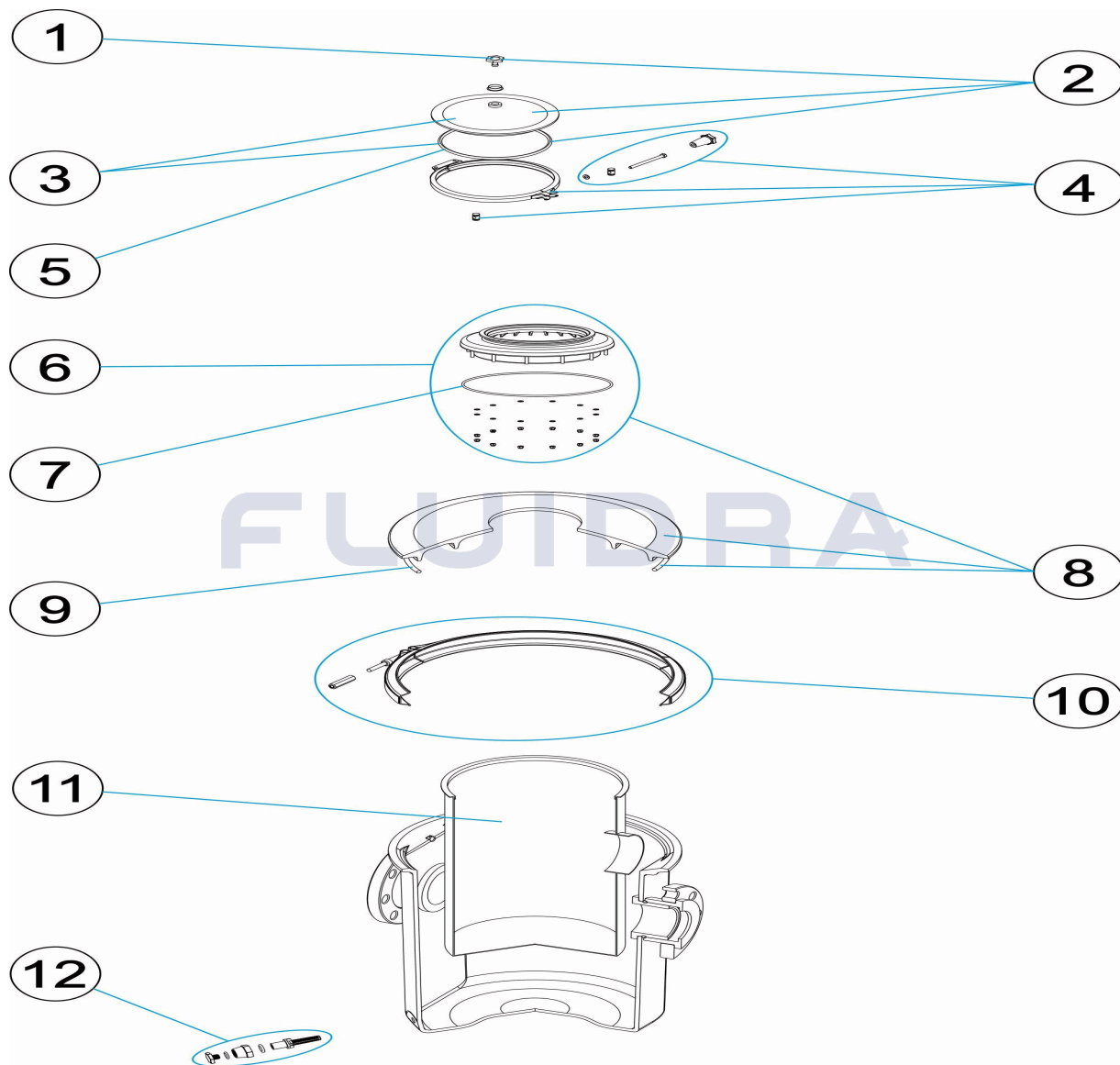


CODIGO **15644, 15645, 15646, 15647, 15648, 15649**

DESCRIPCION: **PREFILTRO POLIESTER CON TAPA VISOR 33L.**

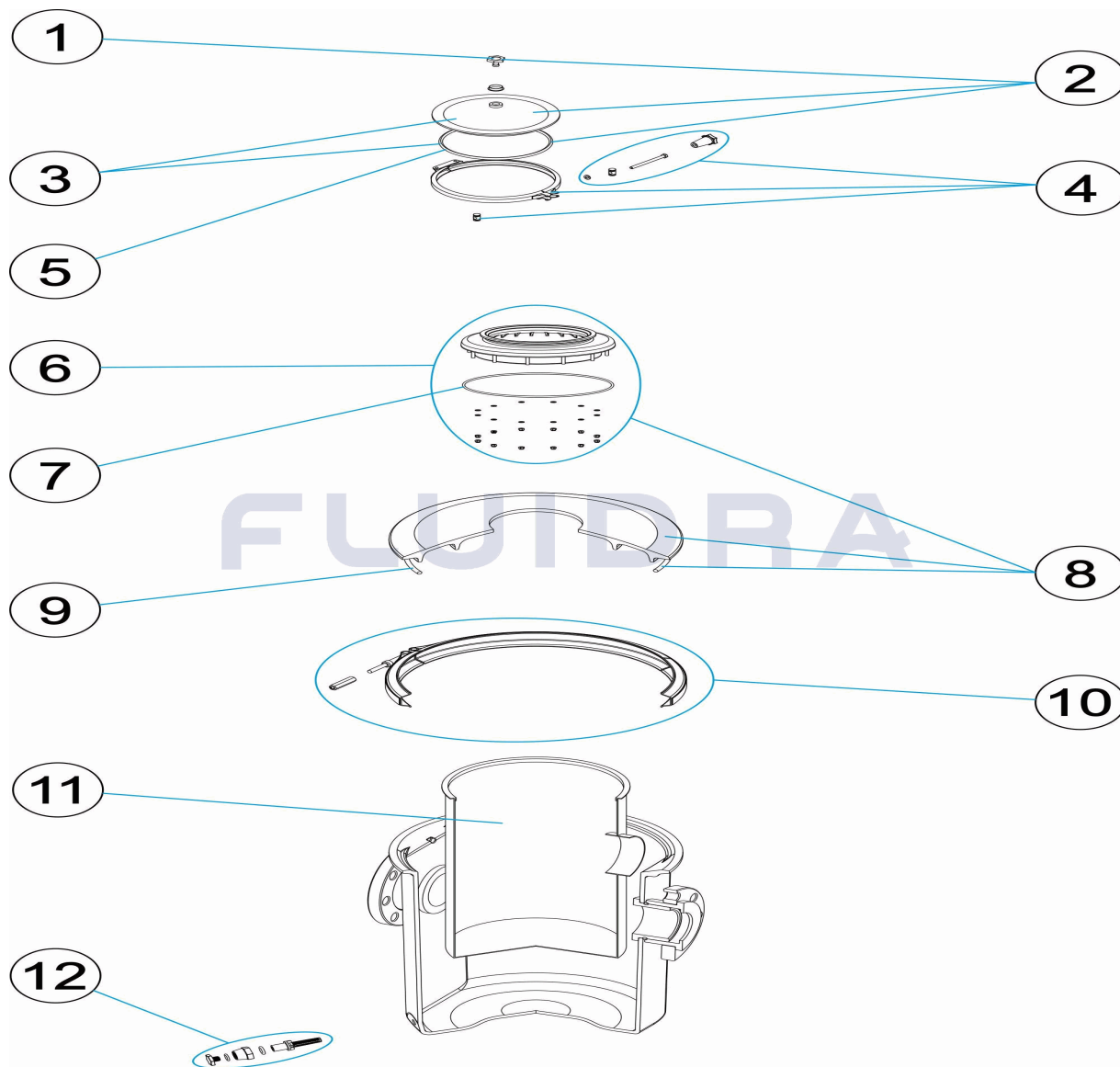


ESPAÑOL

POS	CODIGO	DESCRIPCION	CANTIDAD	POS	CODIGO	DESCRIPCION	CANTIDAD
1	4404130107	TAPON PURGA 1/4" ANONIMO CON JUNT "	7	440420116	JUNTA TORICA 255X4		
2	4405040401	TAPA CON JUNTA Y TAPON	8	4405040404	TAPA PREFILTRO CON JUNTA		
3	4404080102	TAPA TRANSPARENTE + ANILLO	9	4405040204	JUNTA TAPA		
4	4411020402	ZUNCHO PLASTICO	10	4405040205	ZUNCHO PREFILTRO		
5	4404080101	JUNTA TORICA TAPA	11	4405040206	CESTO PREFILTRO		
6	4405040405	CJTO. ARO CUELLO	12	4405040202	PURGA AGUA 3/8"		

CODE 15644, 15645, 15646, 15647, 15648, 15649

DESCRIPTION: PRÉFILTRE POLYESTER AVEC COUVERCLE VISEUR 33L.

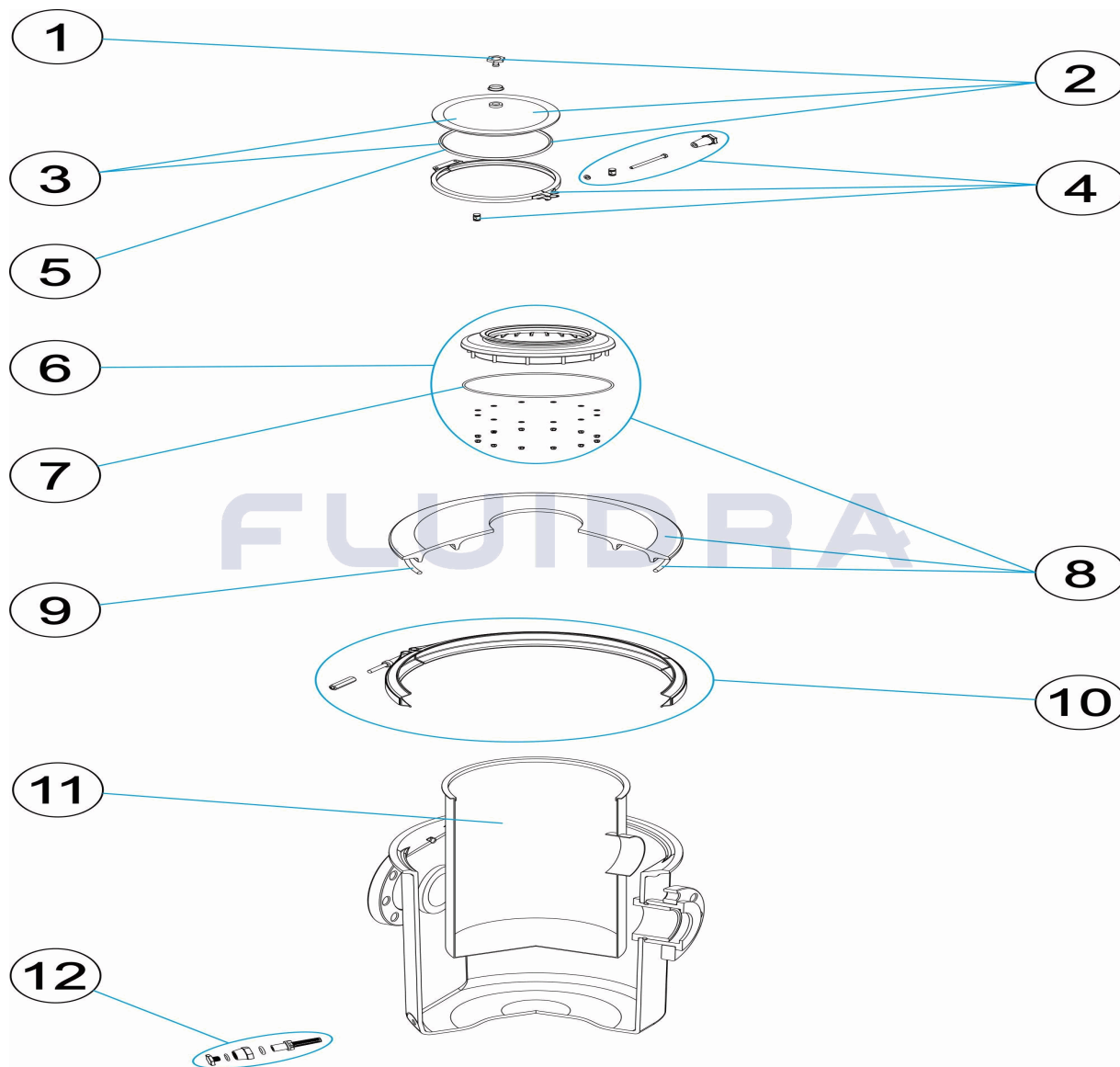


FRANCAIS

POS	CODE	DESCRIPTION	QUANTITE	POS	CODE	DESCRIPTION	QUANTITE
1	4404130107	BOUCHON PURGE 1/4" ANONYME AVEC J	7	4404020116	JOINT TORIQUE 255X4		
2	4405040401	COUVERCLE AVEC JOINT ET BOUCHON	8	4405040404	COUVERCLE PREFILTRE AVEC JOINT		
3	4404080102	COUVERCLE TRANSPARENT + JOINT	9	4405040204	JOINT DE COUVERCLE		
4	4411020402	ENSEMBLE COLLIER EN PLASTIC	10	4405040205	COLLIER PREFILTRE		
5	4404080101	JOINT TORIQUE COUVERCLE	11	4405040206	PANIER PRÉFILTRE		
6	4405040405	ENSEMBLE " BAGUE JOIN "	12	4405040202	PURGE D'EAU 3/8"		

CODE **15644, 15645, 15646, 15647, 15648, 15649**

DESCRIPTION: **POLYESTER PREFILTERS WITH TRANSPARENT COVER 33L.**

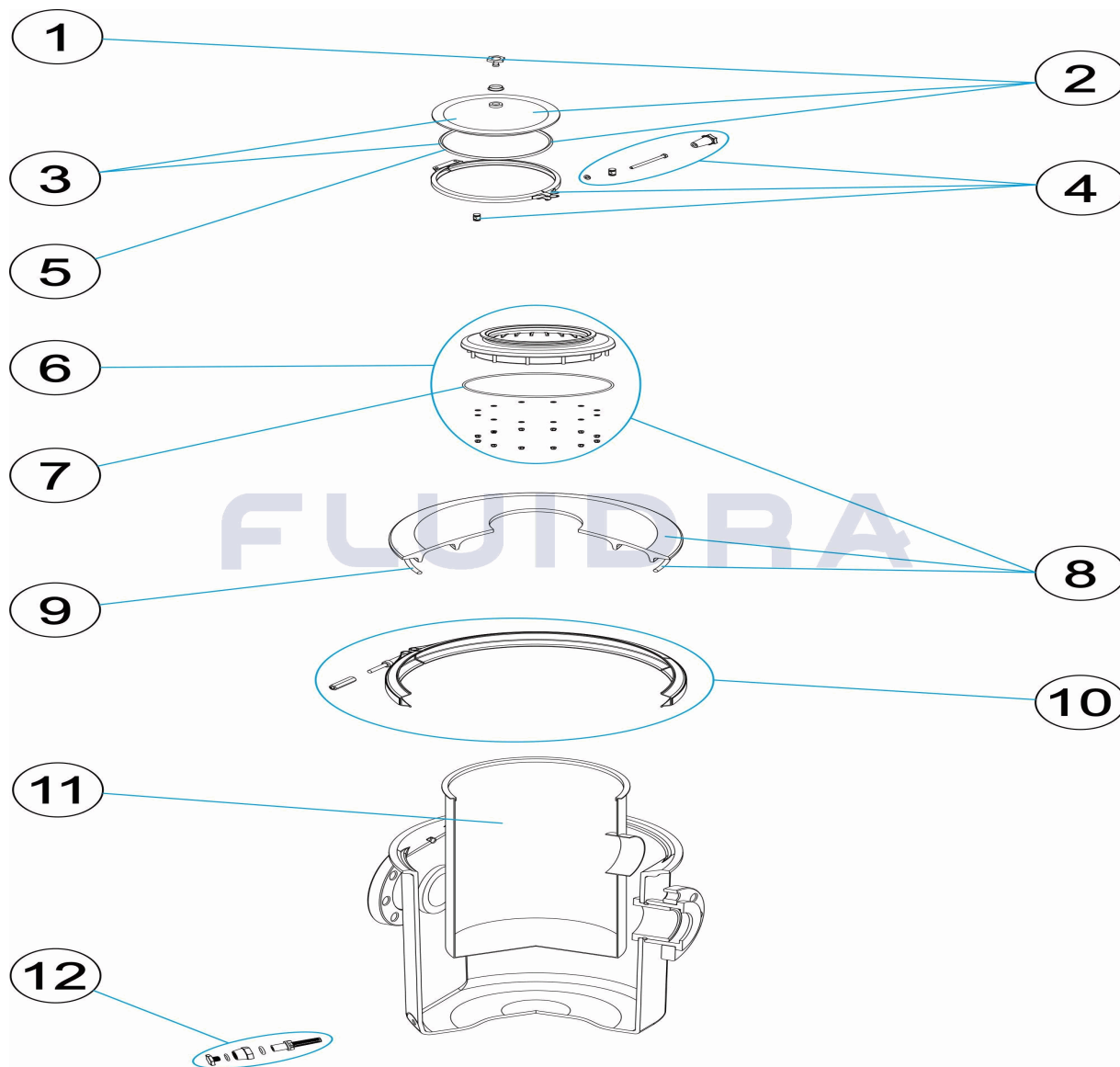


ENGLISH

POS	CODE	DESCRIPTION	QUANTITY	POS	CODE	DESCRIPTION	QUANTITY
1	4404130107	ANONYMOUS CAP		7	4404020116	O' RING 255X4	
2	4405040401	COVER WITH GASKET AND PLUG		8	4405040404	PRE-FILTER COVER WITH GASKET	
3	4404080102	TRANSPARENT LID + GASKET		9	4405040204	LID GASKET	
4	4411020402	PLASTIC V-CLAMP SET		10	4405040205	PRE-FILTER V-CLAMP SET	
5	4404080101	LID 'O' RING		11	4405040206	PRE-FILTER BASKET	
6	4405040405	SET FILTER RING		12	4405040202	WATER PURGE 3/8"	

CODICE 15644, 15645, 15646, 15647, 15648, 15649

DESCRIZIONE: PREFILTRO POLIESTERE CON TAPPO VISORE 33 L.

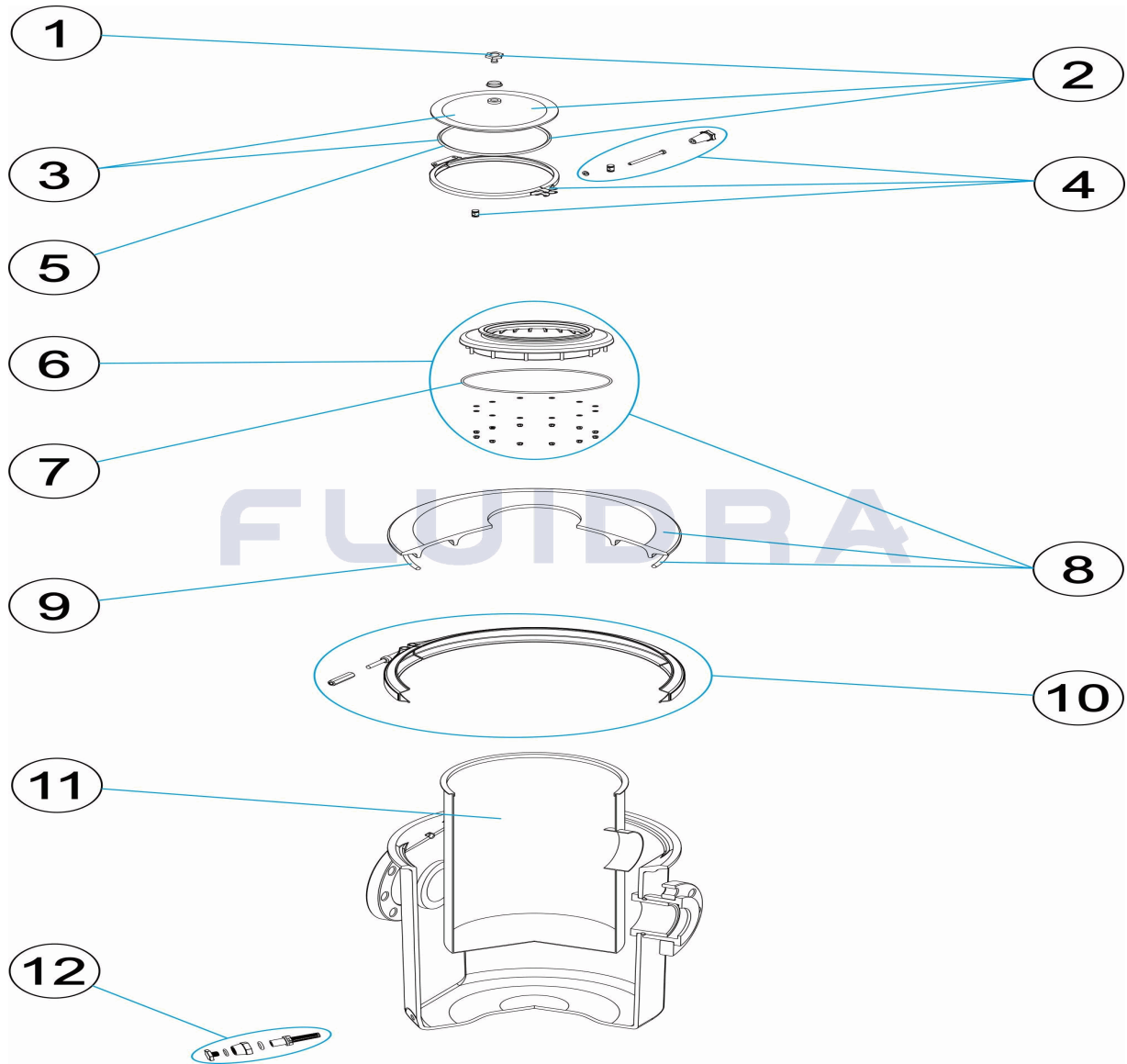


ITALIANO

POS	CODICE	DESCRIZIONE	QUANTITA'	POS	CODICE	DESCRIZIONE	QUANTITA'
1	4404130107	APPO 1/4" SCARICO ANONIMO CON GUAF	7	4404020116	O-RING 255X4		
2	4405040401	COPERCHIO CON GUARNIZIONE E TAPPO	8	4405040404	COPERCHIO PREFILTRO CON GUARNIZIONE		
3	4404080102	COPERCHIO TRASPARENTE + ANELLO	9	4405040204	GUARNIZIONE COPERCHIO		
4	4411020402	INSIEME FASCIA IN PLASTICA	10	4405040205	FASCETTA PREFILTRO		
5	4404080101	O-RING COPERCHIO	11	4405040206	CESTO PREFILTRO		
6	4405040405	KIT FLANGIA COPERCHIO	12	4405040202	SCARICO ACQUA 3/8"		

CODE 15644, 15645, 15646, 15647, 15648, 15649

BESCHREIBUNG: VORFILTER POLYESTER MIT ABDECKUNG VISOR 33L.

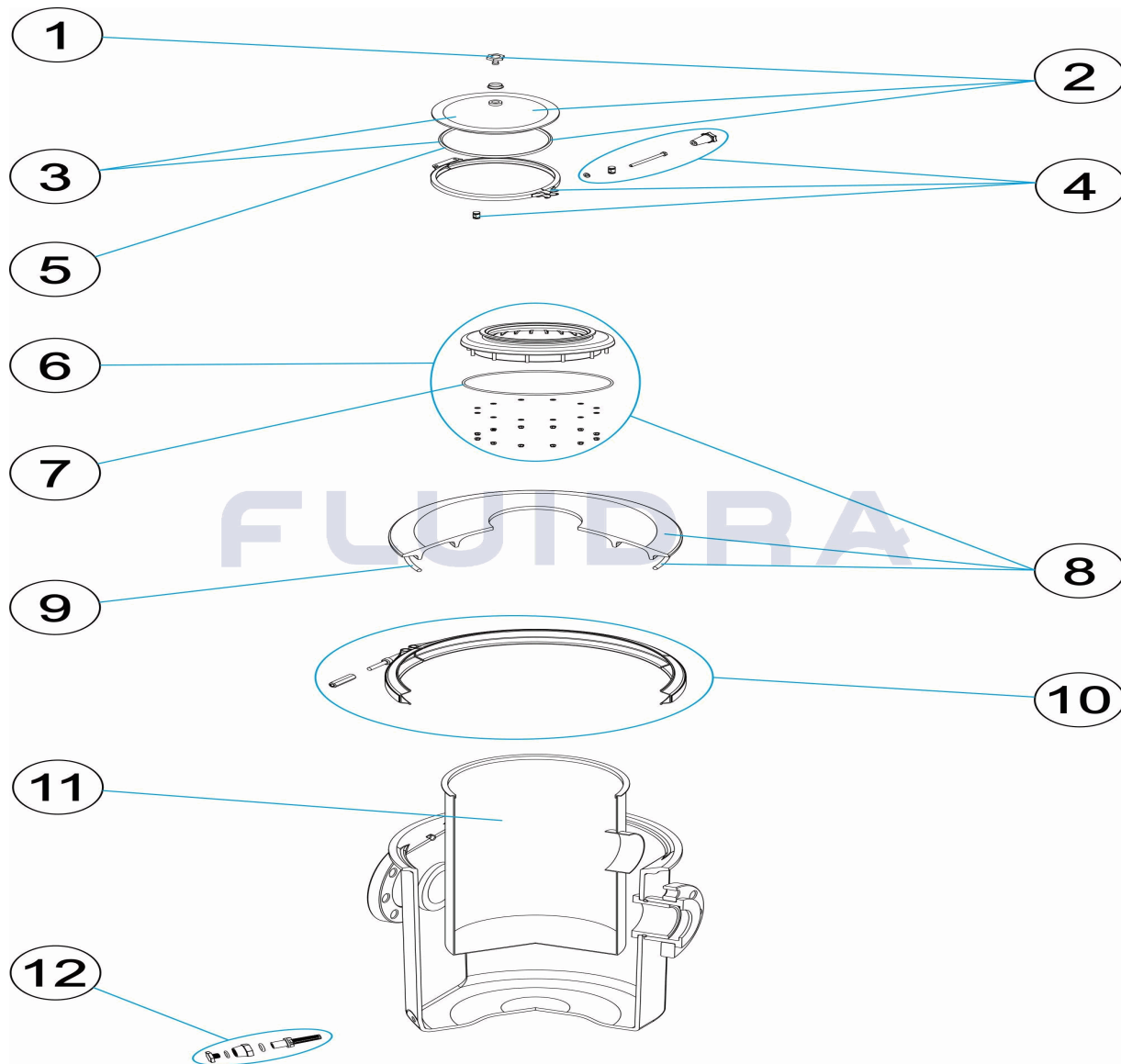


DEUTSCH

POS	CODE	BESCHREIBUNG	MENGE	POS	CODE	BESCHREIBUNG	MENGE
1	4404130107	ABLASSSTOPFEN 1/4" ANONYM UND DICH	7	4404020116	O-RING 255 X 4		
2	4405040401	ABDECKUNG MIT DICHUNG UND STOPFE	8	4405040404	VORFILTERABDECKUNG UND DICHUNG		
3	4404080102	ABDECKUNG TRANSPARENT MIT RING	9	4405040204	DICHUNG ABDECKUNG		
4	4411020402	EINSATZ KUNSTSTOFF	10	4405040205	EINSATZ VORFILTER		
5	4404080101	O-RING ABDECKUNG	11	4405040206	VORFILTERKORB		
6	4405040405	SET FILTERRING	12	4405040202	WASSERABLASS 3/8"		

CODIGO **15644, 15645, 15646, 15647, 15648, 15649**

DESCRIÇÃO: **PRÉ-FILTRO POLIÉSTER COM TAMPA VISOR 33 L.**



PORTUGUES

POS	CODIGO	DESCRIÇÃO	JANTIDADE	POS	CODIGO	DESCRIÇÃO	JANTIDADE
1	4404130107	TAMPAO PURGA 1/4" ANONIMO COM JUN	7	4404020116	JUNTA TÓRICA 255X4		
2	4405040401	TAMPA COM JUNTA E TAMPÃO	8	4405040404	TAMPA PRÉ-FILTRO COM JUNTA		
3	4404080102	TAMPA TRANSPARENTE + ARO	9	4405040204	JUNTA TAMPA		
4	4411020402	CONJUNTO ABRAÇADERA DE PLASTICO	10	4405040205	CONJUNTO ABRAÇADEIRA PRÉ-FILTRO		
5	4404080101	JUNTA TÓRICA TAMPA	11	4405040206	CESTO PRÉ-FILTRO		
6	4405040405	CONJUNTO ARO PROLONGADOR	12	4405040202	PURGA AGUA 3/8"		